



## Specification Sheet for Model PP88S12L71-4045HF285

Pioneer Prime - Vacuum Assisted  
Centrifugal Pump, Diesel-Driven Package

**Optional Sound Attenuated Enclosure**



### Features

- Indefinite Run-Dry Capability
- Extreme Flow Technology
- Environmentally Safe Priming System with Patented PosiValve™ - No Blow By
- Auto Start Controls
- Sound Attenuated Canopy Model - 68 dBa @ 7 meters

### Pump Specifications

Pump Size	8 x 8 inches	200 x 200
Max Flow	4,500 USgpm	1040 m³/h
Max Head	200 feet	60 metres
Solids Size	3 inches	76 mm

### Options & Accessories

#### Trailers

- Off-Road Trailer  
(No fenders or lights, No VIN)
- On-Road Trailer – Surge Brakes  
(DOT ready, VIN)
- On-Road Trailer – Electric Brakes  
(DOT ready, VIN)

#### Control Panel

Lofa 750

#### Accessories

- Interior Lights
- Skid Tubes
- Solar Charger
- Spare Tire Carrier
- Toolbox

#### Enclosures

- Environmental canopy Kit
- Sound attenuated canopy Kit
- Premium sound attenuated canopy Kit

### Materials of Construction

	Standard Construction	Optional Constructions
Impeller	CA6NM SS	CD4MCu
Shaft	17-4 PH	17-4 PH
Wear Ring	Gray Iron	316 SS
Suction Cover	Ductile Iron	CD4MCu
Volute	Ductile Iron	CD4MCu
Brac-plate/ bracket	Ductile Iron	CD4MCu

### Engine Specifications

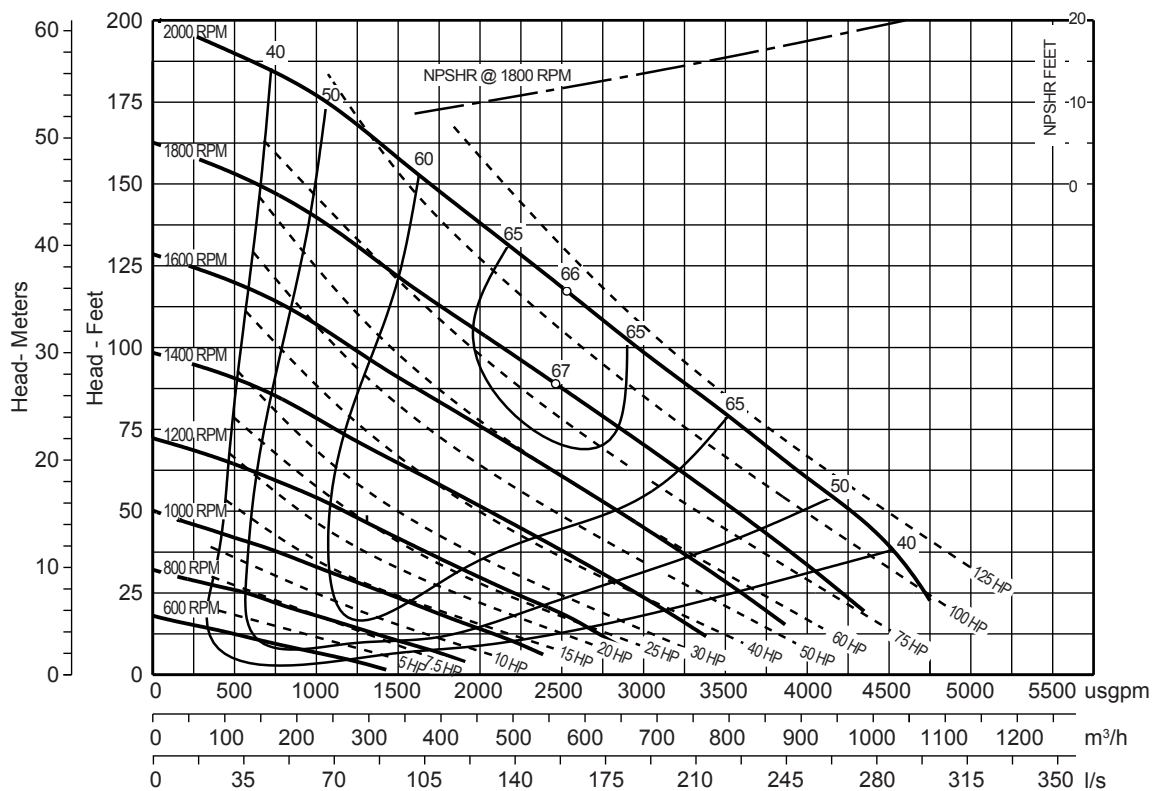
Engine Type	John Deere 4045HF285 4 Cylinder Diesel
Displacement	4.5 L, 275 cubic inches
Fuel Tank, Typical	135 US Gal (511.0 L)
Fuel Consumption @ 1800 RPM	6.12 GPH (23.2 L/H) (Full Load)
Continuous Horsepower	109 HP @ 1800 RPM
Operating Time	22 hours
Safety Shut Down Switches	Low Oil Pressure, High Temperature and V-Belt Failure
Instrument Panel	Oil Pressure Gauge, Ampmeter, Hourmeter, and Tachometer

### UltraPrime™ Priming System

Priming System	Mechanically Driven Diaphragm Style Vacuum Pump
Air Removal Capability	50 CFM
Priming Chamber	Positive sealing air separation PosiValve™ with stainless steel float ball & linkage.
Discharge Check Valve	Swing Style - ductile iron with Buna-n Disc
Run Dry System	Oil-lubricated mechanical seal allows the pump to run completely dry without damage

# Performance Curve

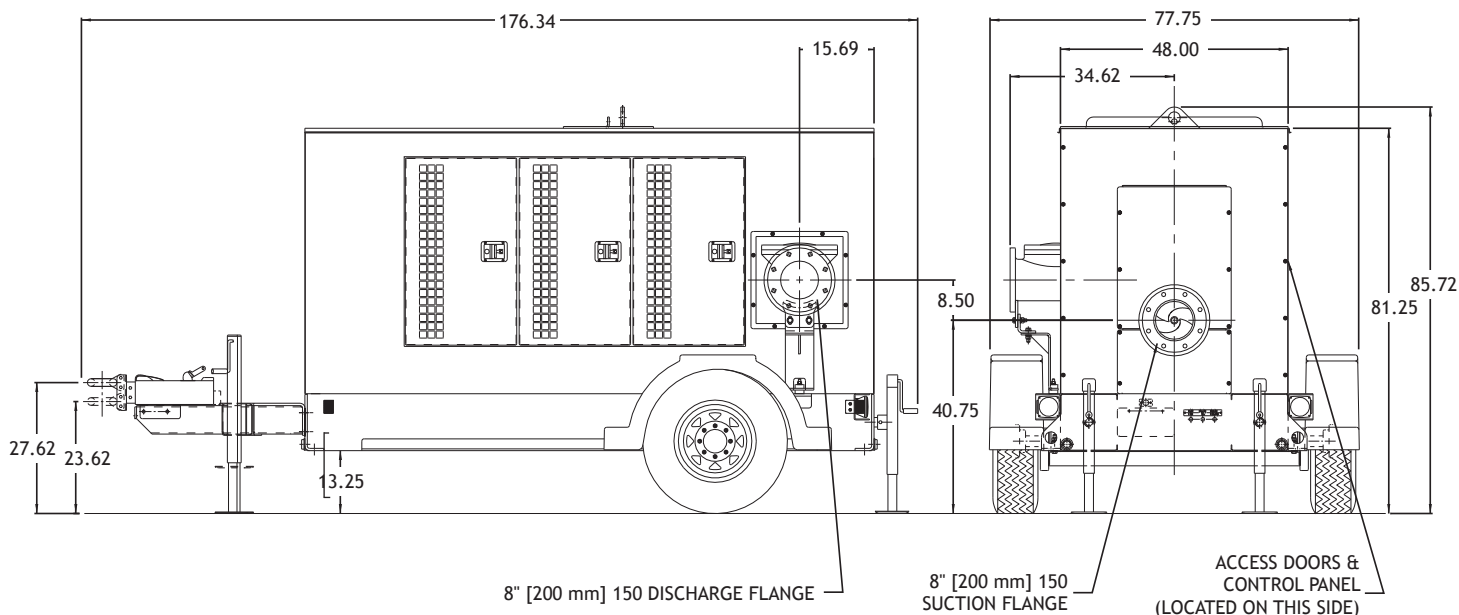
Model: PP88S12	Impeller Dia. 12.25"	Solids Size: 3.0"	Curve # A5895HQ
----------------	----------------------	-------------------	-----------------



# Mechanical Drawing

## PP88S12L71-4045HF285

Skid, Dry	8120 lbs
Skid, Wet	8971 lbs
Trailer Kit	810 lbs
SA Enclosure Kit	480 lbs



Package shown with optional sound attenuated enclosure. External dimensions are the same for open packages.